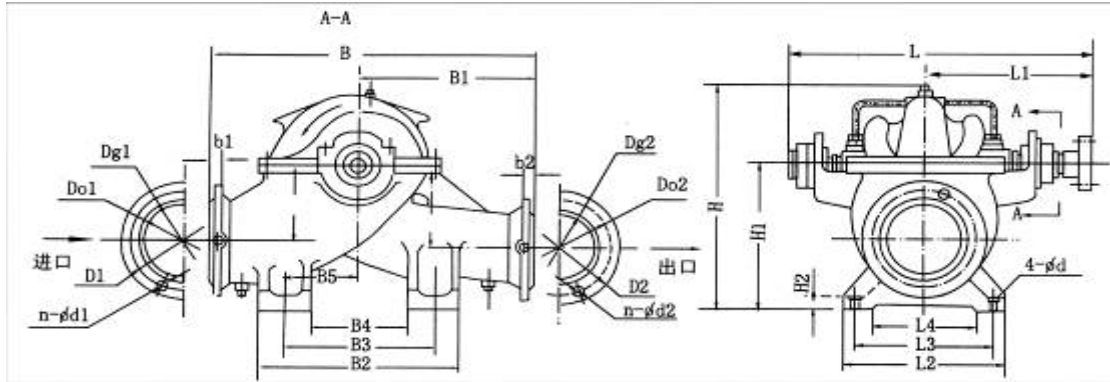


SH 型单级双吸清水离心泵安装尺寸



泵型号	泵外形尺寸															进水法兰尺寸				出水法兰尺寸							
	L	L1	L2	L3	L4	B	B1	B2	B3	B4	B5	H	H1	H2	H3	H4	4-φd	Dg	Do	D1	b	n-φ	Dg	Do	D2	b	n-φ
6Sh-6A 6Sh-6	708	39	25	20	13	530	25	27	22		11	48	28	2	13	16	1	15	24	28	2	8-φ	10	18	21	2	8-φ
		9	0	0	5		0	0	0		0	7	0	5	0	5	8	0	0	0	4	23	0	0	5	2	18
6Sh-9A 6Sh-9	708	39	25	20	13	450	20	27	22		11	45	28	2	13	14	1	15	22	26	2	8-φ	10	17	20	1	8-φ
		9	0	0	5		0	0	0		0	6	0	5	0	0	8	0	5	0	0	23	0	0	5	8	18
8Sh-6	842	46	35	30	24	750	35	35	30		15	60	37	3	18	20	2	20	29	33	2	8-φ	12	21	24	2	8-φ
		2	0	0	5		0	0	0		0	4	0	0	5	0	3	0	5	5	6	23	5	0	5	4	18
8Sh-9A 8Sh-9	832	46	35	30	24	620	27	35	30		15	56	35	3	17	17	2	20	29	33	2	8-φ	12	21	24	2	8-φ
		0	0	0	5		0	0	0		0	8	0	0	5	2	3	5	5	6	23	5	0	5	4	18	
8Sh-13A 8Sh-13	775	42	35	30	23	550	25	35	30		15	54	35	3	16	16	2	20	28	31	2	8-φ	12	20	23	2	8-φ
		6	0	0	0		0	0	0		0	9	0	0	0	5	3	0	0	5	2	18	5	0	5	0	18
10Sh-9A 10Sh-9	989	55	42	36	30	890	44	63	48	33	24	75	44	3	20	26	2	25	33	37	2	12-φ	20	28	21	2	8-φ
		3	0	0	0		0	0	0	0	0	4	0	5	0	0	5	0	5	0	4	18	0	0	5	2	18
10Sh-13 A 10Sh-13	918	53	44	38	30	850	40	63	48	33	24	72	44	3	23	23	2	25	33	37	2	12-φ	20	28	21	2	8-φ
		1	0	0	0		0	0	0	0	0	8	0	5	0	0	5	0	5	0	4	18	0	0	5	2	18

SH 型单级双吸清水离心泵

	型号	功率 (KW)	电 压 (V)	L1	h	H	L2	L3	L4	b	B1	H 1	4 - Φ d 1			Dg 2	D2	D02	D 3	n- Φ d2	
6Sh-6	4 Y250M-2	55	38 0	946	57 5	25 0	1300	16 3	900	37 5	60 0	4 0	4 - Φ 2 5	30 0	40 0	1652	15 0	28 0	240	2 4	8- Φ 23
6Sh-6A	4 Y225M-2	45	38 0	830	53 0	22 5	1221	16 3	810	37 5	53 0	4 0	4 - Φ 2 5	30 0	40 0	1537	15 0	28 0	240	2 4	8- Φ 23
6Sh-9	4 Y200L2- 2	30	38 0	790	47 5	20 0	1189	16 3	824	37 0	50 6	4 0	4 - Φ 2 5	30 0	40 0	1497	15 0	28 0	240	2 4	8- Φ 23
6Sh-9A	4 Y200L1- 2	30	38 0	790	47 5	20 0	1189	16 3	824	37 0	50 6	4 0	4 - Φ 2 5	30 0	40 0	1497	15 0	28 0	240	2 4	8- Φ 23
8Sh-9	4 Y280S-2	75	38 0	101 5	64 0	28 0	1506. 5	21 0	1013	43 9	65 6	4 5	4 - Φ 2 5	37 5	57 0	1836	20 0	33 5	295	2 6	8- Φ 23
8Sh-9A	4 Y250M-2	55	38 0	946	57 5	25 0	1478. 5	21 0	872.5	44 5	59 8	4 0	4 - Φ 2 5	37 5	47 0	1766. 5	20 0	33 5	295	2 6	8- Φ 23
8Sh-13	4 Y225M-2	45	38 0	830	53 0	22 5	1312	21 0	879.5	43 7	54 4	4 5	4 - Φ 2 5	37 5	47 0	1594	20 0	33 5	295	2 6	8- Φ 23
8Sh-13A	4 Y200L1- 2	37	38 0	100 0	47 5	20 0	1279. 5	21 6	823.5	45 1	52 2	4 0	4 - Φ	37 5	47 0	1554	20 0	33 5	295	2 6	8- Φ 23

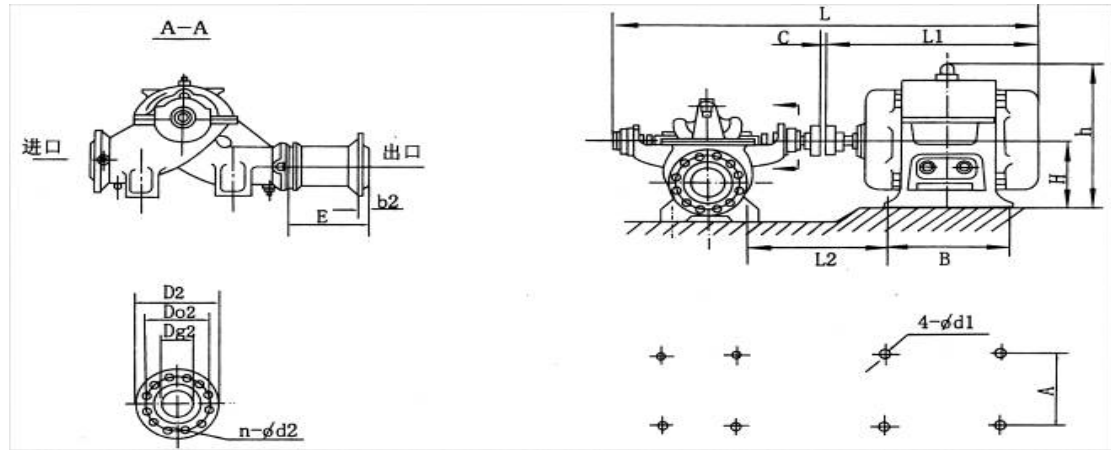
SH 型单级双吸清水离心泵

																				2 5		
10Sh-9	4	Y280S-4	75	38 0	790	64 0	28 0	1663	25 9	1049	72 0	72 0	5 0	4 2 5	30 0	47 0	1993	25 0	39 0	350	2 8	8- φ 23
10Sh-9h	4	Y250M-4	55	38 0	930	57 5	25 0	1592	25 9	1010	72 0	64 4	5 0	4 2 5	30 0	57 0	1923	25 0	39 0	350,	2 8	8- φ 23
10Sh-13	4	Y225M-- 4	45	38 0	845	53 0	22 5	1510	26 7	979.5	76 5	61 2	4 5	4 2 3	30 0	56 0	1813	25 0	39 0	350	2 8	12- φ 23
10Sh-13A	4	Y225S-4	37	38 0	820	53 0	22 5	1510	26 7	979.5	76 5	61 2	4 5	4 2 3	30 0	56 0	1788	25 0	39 0	350	2 8	12- φ 23
10Sh-19	4	Y200L-4	30	38 0	790	47 5	20 0	1390	24 0	950	53 3	53 3	4 0	4 2 5	30 0	53 0	1697	25 0	39 0	350	2 8	8- φ 23
10Sh-19A	4	Y180M-4	18.5	38 0	685	43 0	18 0	1319	24 0	854	50 0	50 0	4 0	4 2 5	30 0	53 0	1592	25 0	39 0	350	2 8	8- φ 23
12Sh-13	4	Y280M-4	90	38 0	1050	64 0	28 0	1949	38 0	1200	96 0	75 2	5 0	4 2 3	30 0	67 0	2263	30 0	44 0	400	2 8	12- φ 23
12Sh--13 A	4	Y280S-4	75	38 0	1000	64 0	28 0	1949	38 0	1200	96 0	75 2	5 0	4 2 3	30 0	67 0	2213	30 0	44 0	400	2 8	12- φ 23
12Sh--19	4	Y250M-4	55	38 0	930	57 0	25 0	1724. 5	35 9	1058. 5	93 0	64 5	4 0	4 -	30 0	65 0	1962	30 0	44 0	400	2 8	8- φ

SH 型单级双吸清水离心泵

																					23
12Sh--19 A	4	Y225M-4	45	380	845	530	225	1653	365	1013	930	601	40	300	650	1877	300	440	400	28	8-φ23

安装尺寸 (不带底座)



泵型号	C	电动机			电机尺寸						E	L	L2	吐出锤管法兰尺寸				
		型号	功率 (KW)	电压 (V)	L1	H	h	A	B	4-Φd1				Dg2	D2	D02	d2	n-φd2
6Sh-6	4	Y250M-2	55	380	945	250	575	406	349	4-φ20	300	1652	611	150	280	240	24	8-φ23
6Sh-6A		Y225M--2	45	380	830	225	530	356	311	4-φ16		1537	562					
6Sh-9	4	Y200L2-2	37	380	790	200	475	318	305	4-φ16	300	1497	546	150	280	240	24	8-φ23
6Sh-9A		Y200L1-2	30	380	790	200	475	318	305	4-φ16		1497	546					
8Sh-6	4	Y315S-2	110	380	1205	315	760	508	406	4-φ24	375	2050	822	200	335	295	26	8-φ23
8Sh-9	4	Y280S-2	75	380	1015	280	640	457	368	4-φ20	375	1836.5	644.5	200	335	295	26	8-φ23
8Sh-9A		Y250M-2	55	380	945	250	575	406	349	4-φ20		1766.5	622.5					
8Sh-13	4	Y225M-2	45	380	830	225	530	356	311	4-φ16	375	1594	539	200	335	29	526	8-φ23
8Sh-13A		Y200L-2	37	380	790	200	475	318	305	4-φ16		1554	523					
10Sh-9	4	Y280S-4	75	380	1000	280	640	457	366	4-φ20	300	1903	707	250	390	350	28	12-φ23
10Sh-9A		Y250M-4	55	380	930	250	575	406	349	4-φ20		1823	685					
10Sh-13	4	Y225M-4	45	380	845	225	530	356	311	4-φ16	300	1813	634	250	390	350	28	12-φ23

SH 型单级双吸清水离心泵

10Sh-13A		Y225S-4	37	380	820	225	530	356	286	4-φ16		1788	634					
10Sh-19	4	Y200L1-4	30	380	790	200	475	318	305	4-φ16	300	1687	572	250	390	350	280	12-φ23
10Sh-19A		Y180M-4	18.5	380	685	180	430	279	241	4-φ12		1582	560					
12Sh-9		Y315M1-4	185	380	1210	315	865	508	457	4-φ24		2358	870					
12Sh-9A	4	Y315M2-4	160	380	1285	315	760	508	457	4-φ24	500	2433	870	300	440	400	280	12-φ23
		Y315S-4		380	1160	315	865	508	406	4-φ24		2308	870					

泵型号	C	电动机		电机尺寸						E	L	L 2	吐出锤管法兰尺寸													
		型号	功率 (KW)	电压 (V)	L	H	h	A	B				4-φd1	Dg2	D2	D02	b2	n-φd2								
12Sh-9B	4	Y315M1-4	132	380	1285	315	760	508	457	4-φ24	500	2432	870	300	440	400	280	12-φ22								
12Sh-13	4	Y280M-4	90	380	1050	280	640	457	419	4-φ20	300	2263	736	300	440	400	280	12-φ23								
12Sh-13A		Y280S-4	75	380	1000	280	640	457	368	4-φ20	300	2213	736													
12Sh-19	4	Y250M-4	55	380	430	250	575	406	349	4-φ20	500	1962	615	300	445	400	280	12-φ23								
12Sh-19A		Y250M-4	45	380	815	225	530	356	311	4-φ16	500	1877	596													
12Sh-6		JS	300	380	1380	450	995	710	650	4-φ23	500	2570	950	300	440	400	280	12-φ23								
		JR128-4		1830	3020																					
		JS		6000	1530							500							1125	790	860	4-φ23	2720	920		
		JR138-4		1980	3170																					
12Sh-6A	5	JS	260	380	1380	450	995	710	650	4-φ23	500	2570	950	300	440	400	280	12-φ23								
		JR127-4		1830	3020																					
		JS		6000	1530							500							1125	790	860	4-φ23	3170	920		
		JR137-4		1980	2720																					
12Sh-6B		JS	225	380	1280	450	995	710	550	4-φ23	500	2470	950	300	440	400	280	12-φ23								
		JR126-4		1730	2920																					
		JS		220	6000							1530							1980	500	1125	790	860	4-φ23	2720	920
		JR136-4		3170																						
12Sh-9	4	JR126-4	190	380	1740	450	1005	710	550	4-φ24	500	2882.5	958	300	440	400	280	12-φ33								
12Sh-9A		JR116-4	155	380	1735	375	875	620	590	4-φ24		2882.5	943													

SH 型单级双吸清水离心泵

12Sh-9B	JR115-4	135	380	1735	375	875	620	590	4-φ24	2887.5	943													
14Sh-6	JSQ158-4	680	6000	1900	630	1208	1100	1020	4-φ42	3428	1130	750	350	520	470	38	16-φ25							
	JRQ			2315						3843														
	JSQ1410-4			3000						1865								2300	560	1130	940	970	4-φ42	3393
	JRQ																							3828
14Sh-6A	JSQ148-4	570	3000	1765	560	1130	940	870	4-φ42	3293	1155													
	JRQ			2200						3728														
14Sh-6B	JSQ1410-4	500	6000	1865	560	1130	940	970	4-φ42	3393	1155													
	JRQ			2300						3828														
14Sh-9	JSQ147-4	360	6000	1765	560	1130	940	870	4-φ34	3081	1091													
	JRQ			2200						3516														
14Sh-9A	JS	300	380	1380	450	995	710	650	4-φ34	2696	1001	500	350	500	460	30	16-φ23							
	JR128-4			1830						3146														
	JS138-4			6000						1530								1980	500	1125	790	860	4-φ34	2846
	JR																							3296
14Sh-9B	JS	260	380	1380	450	995	710	650	4-φ34	2696	1001													
	JR127-4			1830						3146														
	JS	260	6000	1530	1980	500	1125	790	860	4-φ34	2846	971												
	JR137-4									3296														
14Sh-13	JS	220	6000	1531	980	500	1125	790	860	4-φ34	2826	863	300	350	500	460	30	16-φ23						
	JR136-4										3276													
	JS126-4			225	380	1280	1730	450	995	710	550								4-φ32	2576				
	JR																			3026				
14Sh-13A	JS116-4	155	380	1280	375	855	620	590	4-φ26	2576	878													
	JR			1720						3016														

SH 型单级双吸清水离心泵